

O SERIES OZONE GENERATOR

Features

- Air-Cooled Ceramic and Titanium Reactor Cell
- Stainless Steel Ozone Fittings

Controls

- Variable Output Control
- Feed Gas Flow Control
- LED Visual Ozone Indicator

Small Footprint and Rugged

The O1 ozone generator is ideal for small applications that require dependable ozone production. The O1 utilizes a unique “dual action” reactor cell capable of producing 6 grams of ozone per hour (g/hr) from concentrated oxygen or 1.5 g/hr from dry air. The proprietary titanium and ceramic reaction cell incorporates Pacific Ozone’s patented Floating Plate Technology® for high ozone output and reliability.

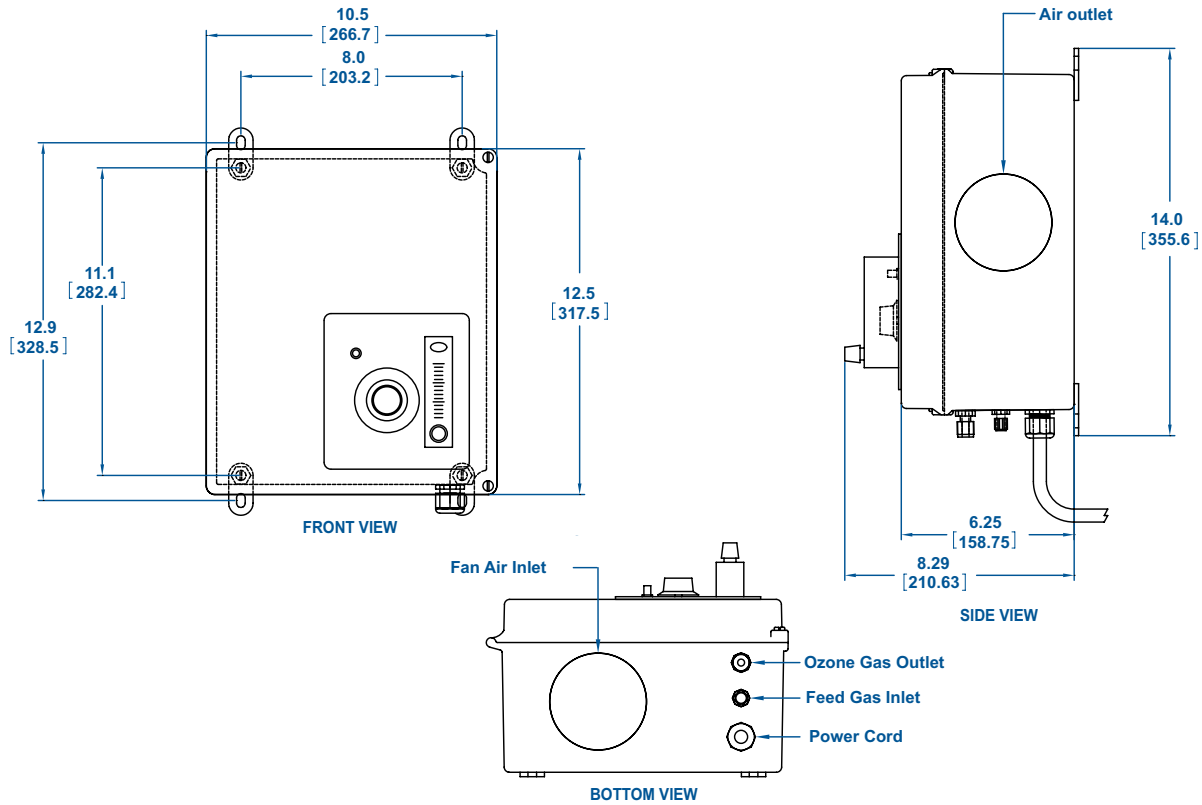


Model: O1

The O1 uses only stainless steel fittings and Teflon tubing for years of trouble-free service. Extremely compact and lightweight, the air-cooled O1 ozone generator fits easily in tight quarters. And, the rugged and rustproof reinforced fiberglass case allows placement in unforgiving environments.

O SERIES OZONE GENERATOR

Model: O1



Technical Specifications

Model/ Part Number	Max. Ozone Production	Max. Ozone Concentration	Max. Reactor Pressure	Feed Gas Flow Range	Power Consumption	Air Cooling	Inlet/Outlet Fitting*	Dimensions (HxWxD)	Weight
	lbs./day (grams/hour)	% weight	psig (bar)	scfh (lpm)	watts	scfm (lpm)	inches (mm)	inches (mm)	lbs (kg)
O1/ R-O10001 (115V)	0.3 (6)	4%	6 (0.4)	7-10 (3.3-4.7)	180	90 (2549)	0.25 (6.4)	12.5x10.5x6.25 (318x267x159)	12 (5.4)
O1/ R-O10002 (230V)	0.3 (6)	4%	6 (0.4)	7-10 (3.3-4.7)	180	90 (2549)	0.25 (6.4)	12.5x10.5x6.25 (318x267x159)	12 (5.4)

* Compression fitting.

Operational Requirements

All O Series models have the following operational requirements:

- Electrical Requirement: 115 or 230V 50/60Hz 1 phase 15A circuit
- Feed Gas Flow: 10 scfh (4.7 lpm)



6160 Egret Court
Benicia, California 94510
p: (707) 747.9600
f: (707) 747.9209
www.pacificozone.com